

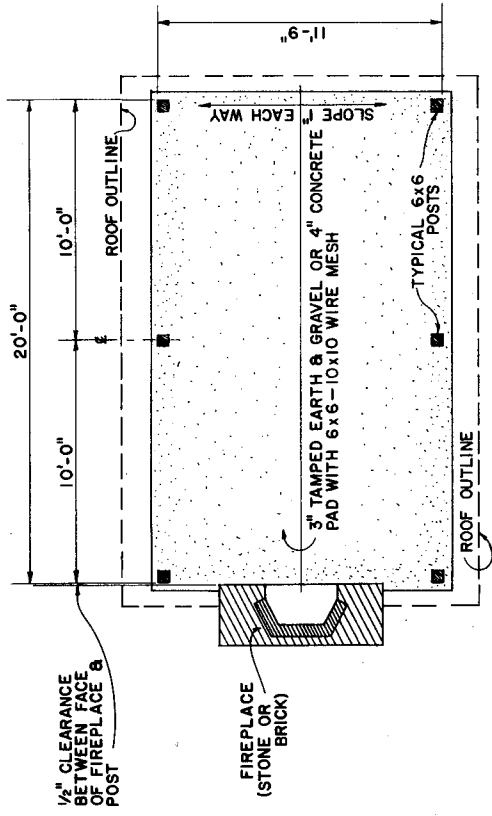
**BILL OF MATERIALS \*\***

DESCRIPTION	QUANTITY	REMARKS
1x6 x 12'-0"	11 PC.	COLLAR BRACES
2x4 x 8'-0"	4 PC.	KNEE BRACES
2x6 x 8'-0"	22 PC.	TOP CHORDS
2x6 x 12'-0"	11 PC.	BOTTOM CHORDS
2x6 x 10'-0"	8 PC.	GIRTS
2x10 x 10'-0"	4 PC.	TOP PLATE
5/8" EXT. PLYWOOD	13 SHT.	SEE NOTE NO. 1
#1x8 ROOF SHEATHING	394 BM	*OPTIONAL
ASPHALT SHINGLES	4 SQ.	
#DRIP STRIP	80 LIN. FT.	*OPTIONAL
18" FLASHING STRIP	10 LIN. FT.	
15" LB. FELT	1 ROLL	
NAILS ROOFING	6 LBS.	1/4" GALV. L.G. HEAD
" 10 D. & 20 D.	20 LBS. & 5 LB.	COMMON BRIGHT
LAG BOLTS	16	3/4" O x 5" L.G. GALV.
#CONCRETE	3 1/2" YDS.	*OPTIONAL
6x6 x 12'-0"	6 PC.	PRESSURE TREATED

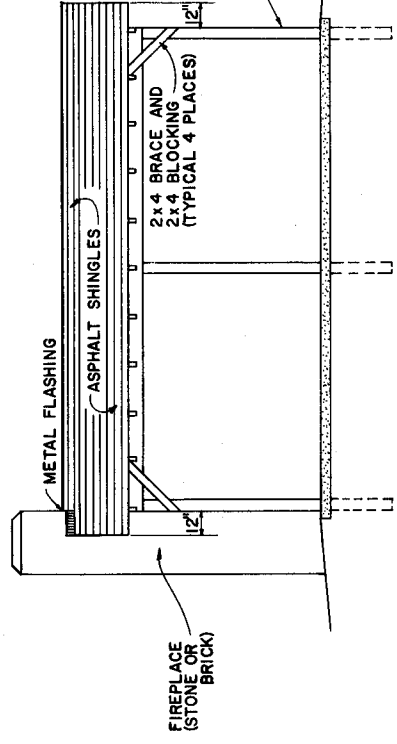
**GENERAL NOTES:**

- GUSSET PLATES ARE TO BE CUT FROM EXCESS ROOF SHEATHING. IF 1x8 SHEATHING IS USED THEN ONLY 2 SHEETS OF 1/2" EXTERIOR PLYWOOD MAY BE USED FOR GUSSET PLATES.
  - ALL END GRAIN LUMBER SHALL HAVE 1 COAT OF OIL BASE STAIN PRIOR TO ERECTION. ALL OTHER WOOD MEMBERS SHALL RECEIVE 2 COATS AFTER ERECTION.
- \*\* MATERIAL FOR FIREPLACE NOT INCLUDED, OTHER THAN FLASHING STRIP.

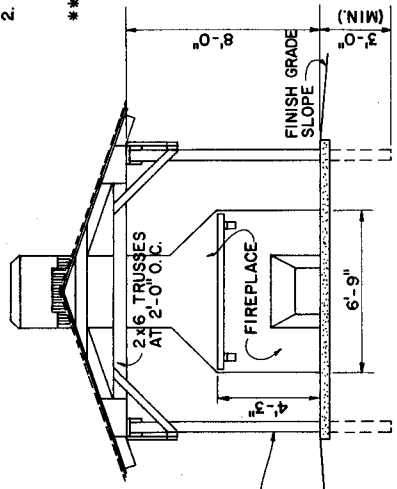
NOTE: BASED ON-CLEMSON UNIV. PLAN NO. 4525



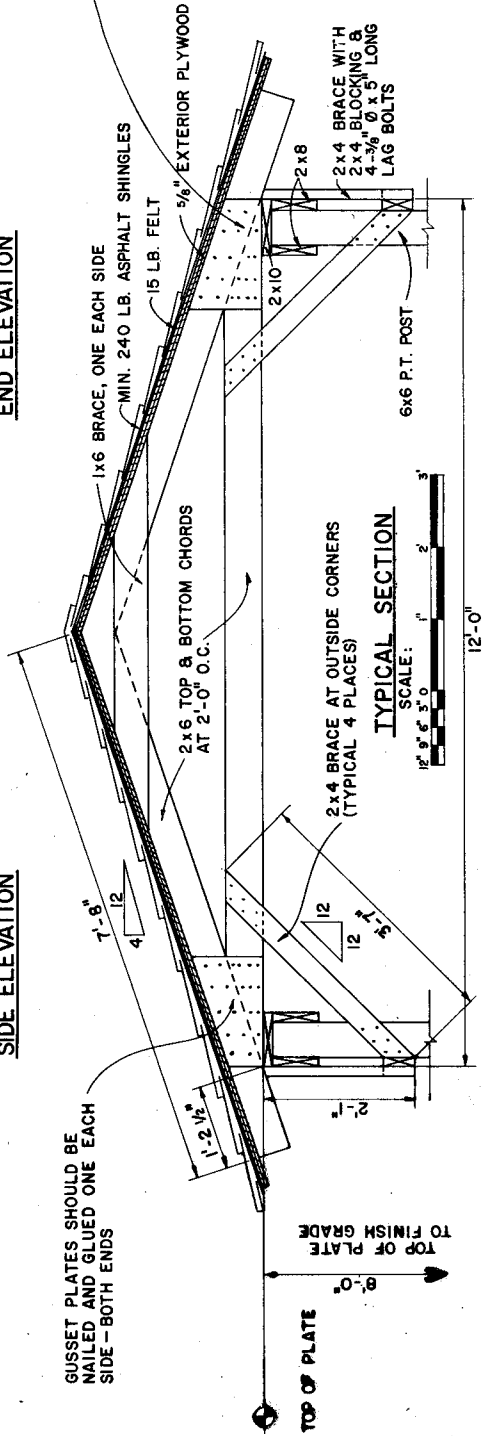
**PLAN**



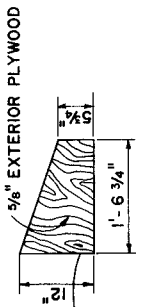
**SIDE ELEVATION**



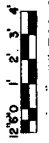
**END ELEVATION**



**TYPICAL SECTION**



**GUSSET PLATE**



SCALE: UNLESS OTHERWISE NOTED

COOPERATIVE EXTENSION WORK IN AGRICULTURE AND HOME ECONOMICS  
STATE OF TENNESSEE  
UNIVERSITY OF TENNESSEE  
AGRICULTURAL ENGINEERING DEPARTMENT  
UNITED STATES DEPARTMENT OF AGRICULTURE COOPERATING

**PICNIC SHELTER WITH FIREPLACE**

S.C. 77 6295 SHEET 1 OF 1